

**Instructions for Setting the RS-232 Port**

If you have purchased your BX-Series scale with the RS-232 port you will be able to interface your scale to a PC, ECR, POS, or serial printer. Remember: **the RS-232 port is NOT an option; you MUST purchase the scale with the RS-232 port installed as this can ONLY be done at the factory.**

**RS-232 Type Setting:**

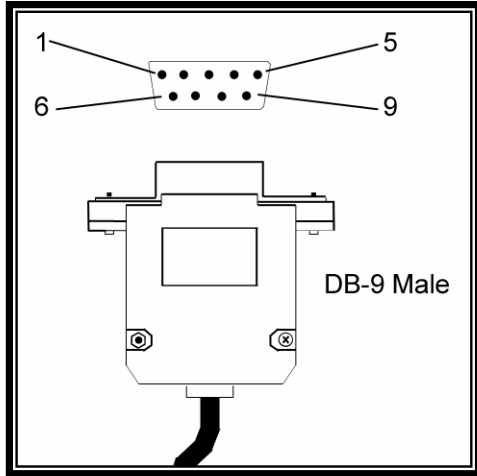
By default, the BX-Series communicate using the following protocol: **9600 Baud, Even Parity, 7 Data Bits, and 1 Stop Bit.** To change the Protocol, please see the *BX-Series RS-232 Programming Instructions*. Additionally, there is also a RS-232 Type Setting which can vary depending on the cash register make and/or model. The following explains how set the different RS-232 Type Settings; you may need to cross-reference the make and/or model of your ECR with the chart in the following sections.

1. Make sure that the scale is OFF and then turn it ON.
2. Press the **Tare** key at any point during the display self-test phase (the scale will be counting up.)
3. The displays will show: Pn
4. Press the **G/N/T** key 4 times and then **Tare**. After 3 seconds the display will show: FD
5. Press the **Unit** key 12 times so that the display reads: F 12
6. Press **Tare**.
7. The display will continuously scroll the following: rS-232 TYPE OFF (May show other than off.)
8. Use the **Unit** to toggle through different Type Settings (*see below.*)
9. Once you have selected the Type Setting that you desire, press the **Tare** key

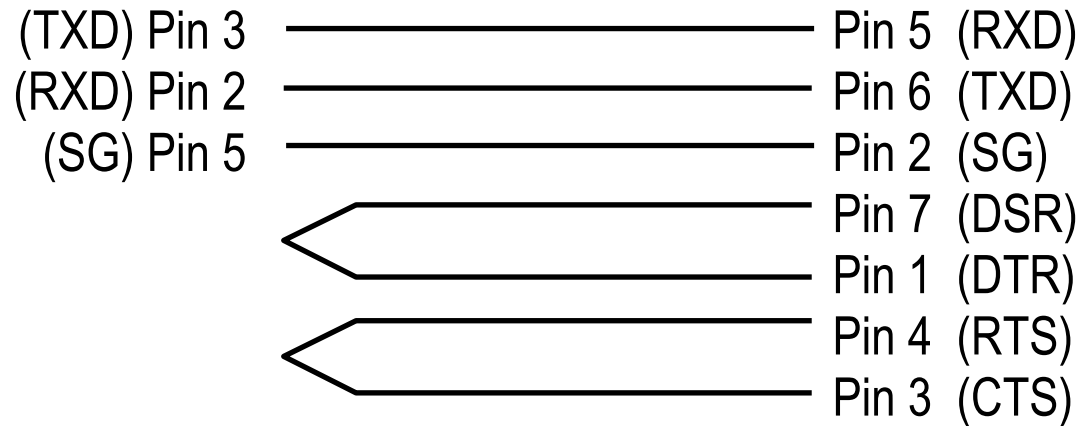
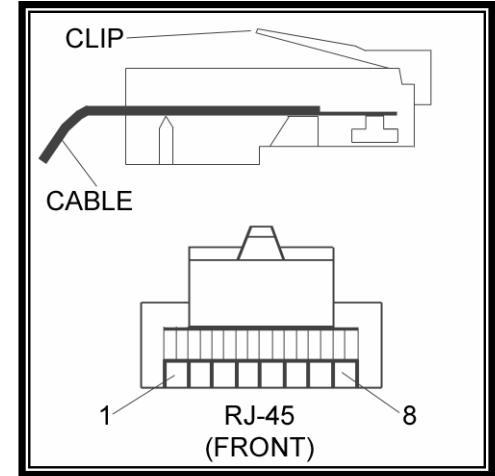
Basic Description	Type Setting
Disable the RS-232 Port	OFF
Toledo 8213 (Many Cash Registers, Sanyo, Casio, Sharp, etc.)	toLEdo
NCI ECR Interface (Most Cash Registers, Samsung, Casio, etc.)	nC iECr
NCI General Interface (Most P.O.S. Systems)	nC iGEr
TEC RS-232, (Most new TEC Cash Registers, may P.O.S. Systems)	tEC
Easy Weigh, (All Easy Weigh software and devices!)	EASy

<b>Make</b>	<b>Cable Part #</b>	<b>Setting</b>	<b>Models</b>
ArbelSoft	600-00514-02003M	<i>tOLEdo</i>	All ArbelSoft Software.
Casio	600-00514-02003M	<i>nE iEcr</i>	SA-3000, all Casio PC Registers with RS-232 scale ports
CRS	600-00214-02003M	<i>nE iEcr</i>	CRS-3000, NEC-4000
DataSym	600-00414-02003M	<i>nE iEcr</i>	DT-2000, DT-6000 and all newer models that follow
IBM PC	600-00414-02003M	<i>nE iGEn</i>	IBM PCs and compatibles with 25 pin serial ports
IBM PC	600-00514-02003M	<i>nE iGEn</i>	IBM PCs and compatibles with 9 pin serial ports
NCR	600-00614-02003M	<i>nE iEcr</i>	2170, 7452, 7453, 7445 Falcon, and all newer models
NEC	600-00214-02003M	<i>nE iEcr</i>	NEC-4000
Omron	Call	<i>nE iEcr</i>	RS-4841, 4810, 4541, 4341, 4310, 4510, 4540, Vantage 7000, & all newer models
Panasonic	600-00514-02003M	<i>nE iEcr</i>	Panasonic ECRs with RS-232 scale interfaces
Samsung, Sam4s	600-00914-02003M	<i>nE iEcr</i>	ER-550, 650, 650R, 655, 6500, 6540, SPS-1000, 5200, 5215, 5240, & newer models
Samsung, Sam4s	600-00A14-02003M	<i>nE iEcr</i>	ER-5100, 5140
Samsung, Sam4s	600-00G14-02003M	<i>nE iEcr</i>	SER-7000
Sanyo	600-01014-02003M	<i>tOLEdo</i>	All models that have RS-232 scale interfaces
Sharp	600-00514-02003M	<i>tOLEdo</i>	ER-A850, A750, A650, A610, A570, A550S, A470, A460, A430, & newer models
Sharp	600-01114-02003M	<i>tOLEdo</i>	UP600, 700, and all newer models
Swintec	600-00D14-02003M	<i>nE iEcr</i>	2250, with 25 pin RS-232 ports, and all newer models
Swintec	600-00E14-02003M	<i>nE iEcr</i>	2250, with 9 pin RS-232 ports, and all newer models
TEC	600-00514-02003M	<i>tEE</i>	MA1535 and any ECR that has an RS-232 scale interface.
Uniwell	600-00F14-02003M	<i>tOLEdo</i>	UX 70-05, UX 60-05, UX 43-05, TX 850, SX 6000, SX 7000

Brand and product names are trademarks and/or registered trademarks of their respective companies.



BX / BK-Series



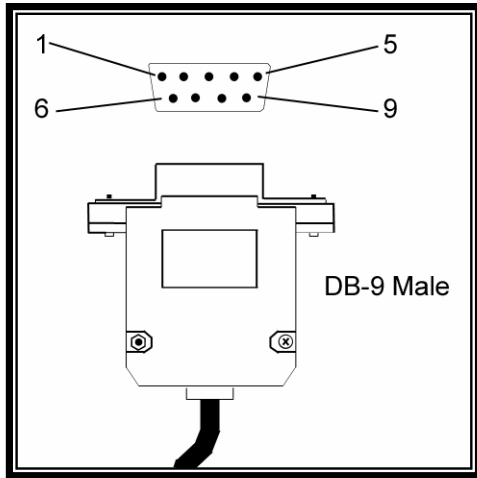
Atron Systems, Inc.

BX / BK-Series to CRS RJ-45 Interface Cable

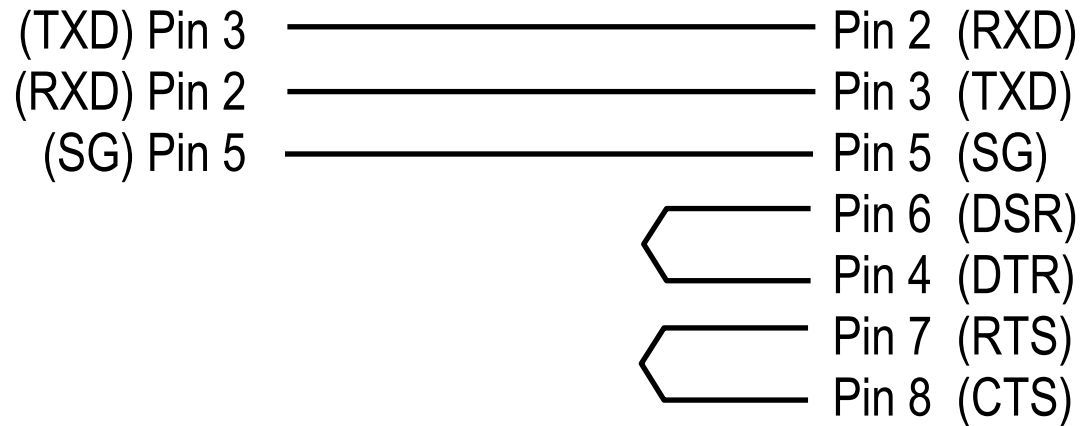
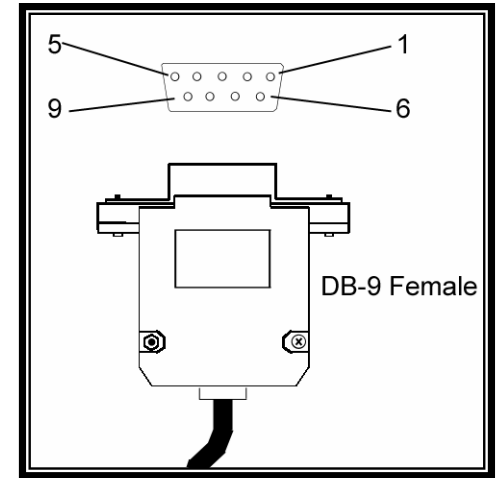
<http://www.atronsystems.com/techs.htm>

12-26-2001

600-00214-02003M



BX / BK-Series



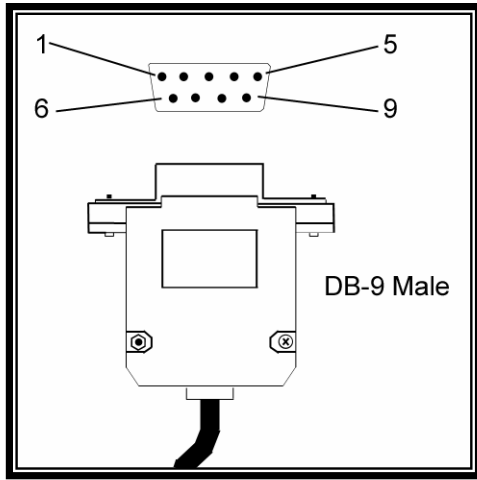
Atron Systems, Inc.

BX / BK-Series to IBM PC 9 Pin Interface Cable

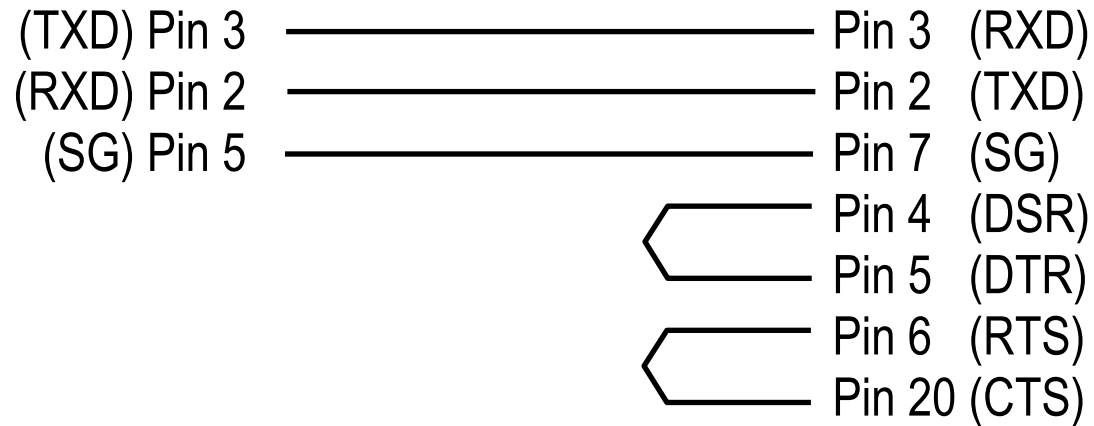
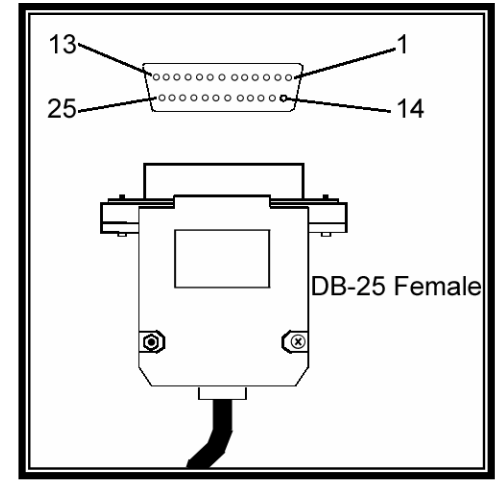
<http://www.atronsystems.com/techs.htm>

2-9-2005

600-00514-02003M



BX / BK-Series



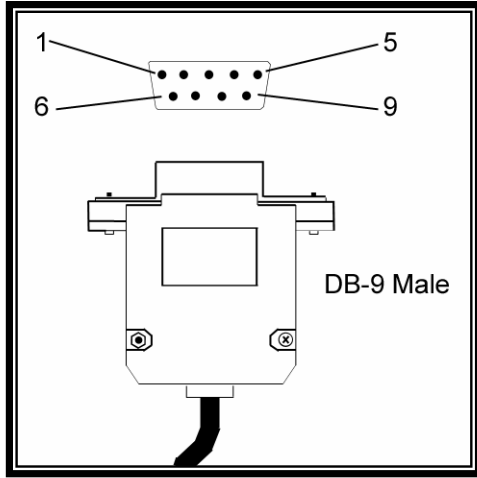
Atron Systems, Inc.

BX / BK-Series to IBM PC 25 Pin Interface Cable

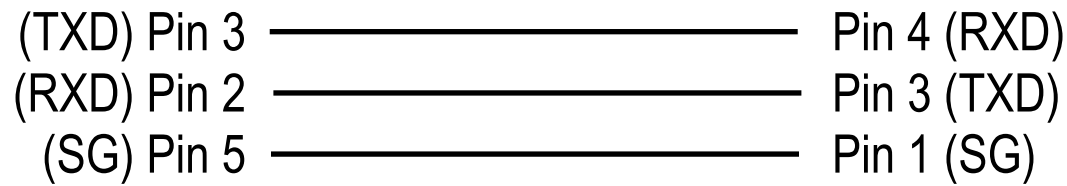
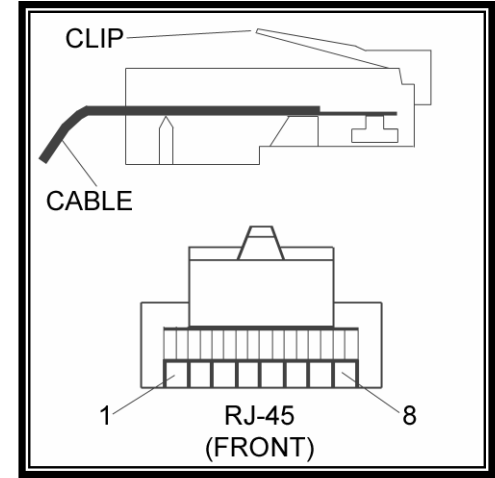
<http://www.atronsystems.com/techs.htm>

12-26-2001

600-00414-02003M



BX / BK-Series



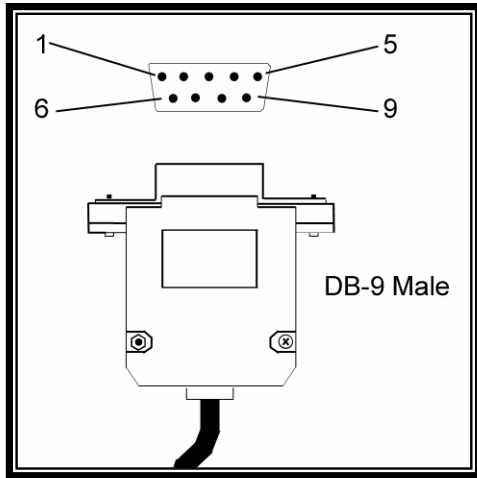
Atron Systems, Inc.

BX / BK-Series to NCR 2170 Interface Cable

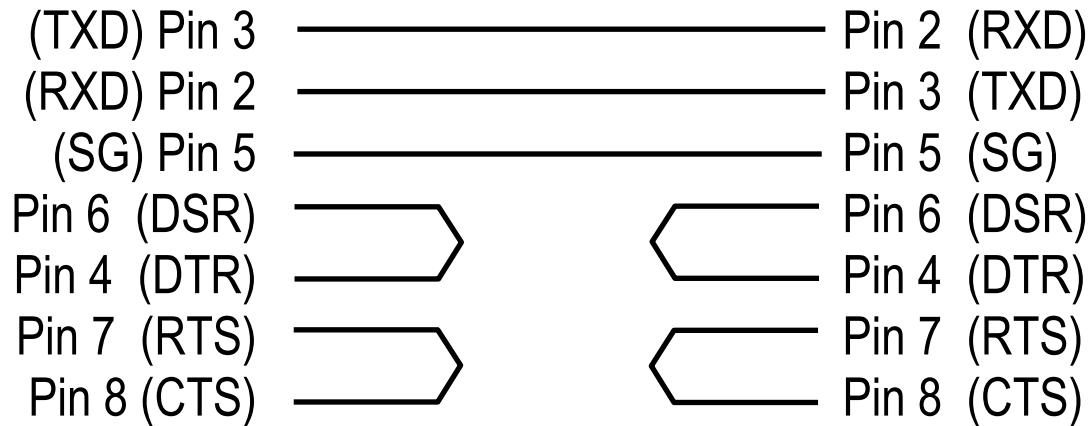
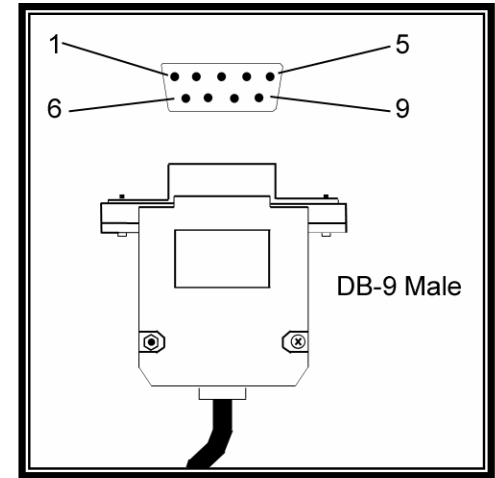
<http://www.atronsystems.com/techs.htm>

12-1-2001

600-00614-02003M



BX / BK-Series



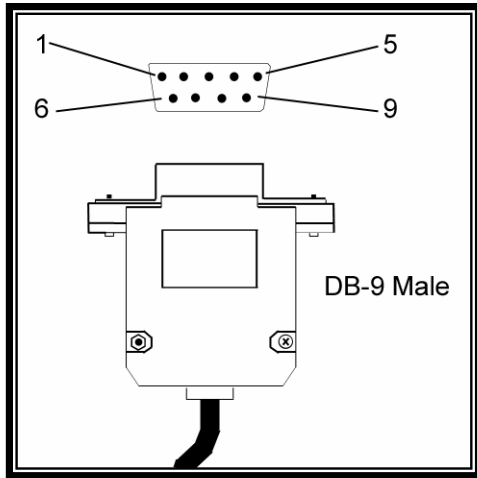
Atron Systems, Inc.

BX / BK-Series to Samsung 9 Pin Interface Cable

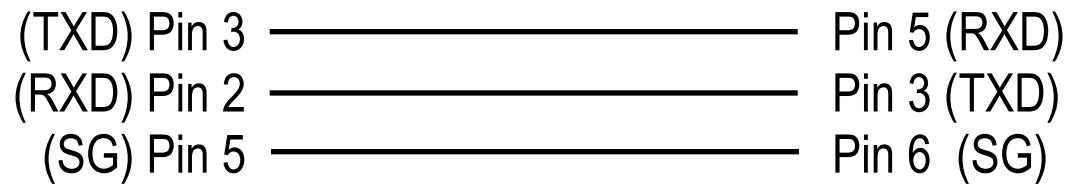
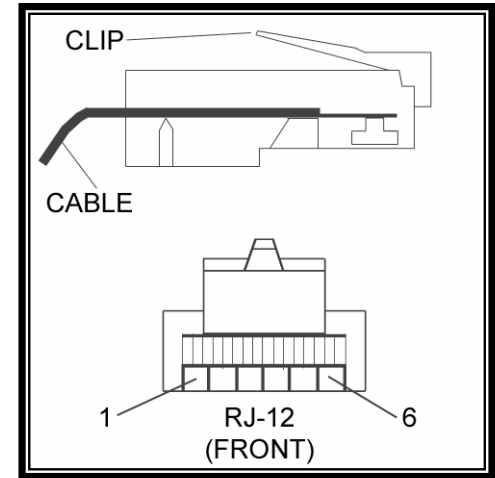
<http://www.atronsystems.com/techs.htm>

12-26-2001

600-00914-02003M



BX / BK-Series



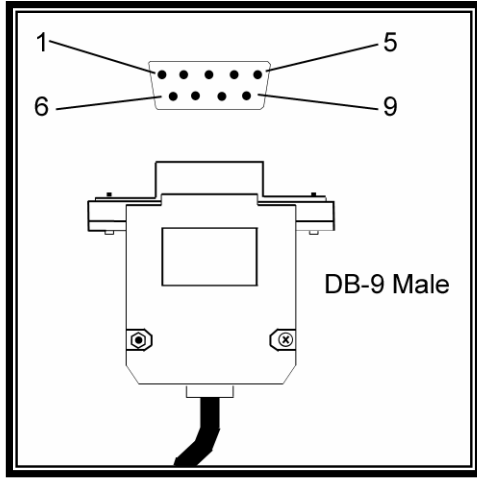
Atron Systems, Inc.

BX / BK-Series to Samsung RJ-12 Interface Cable

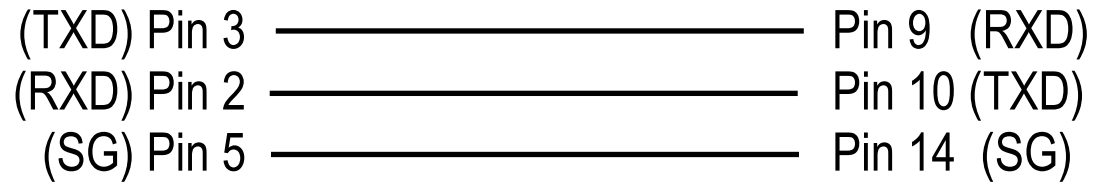
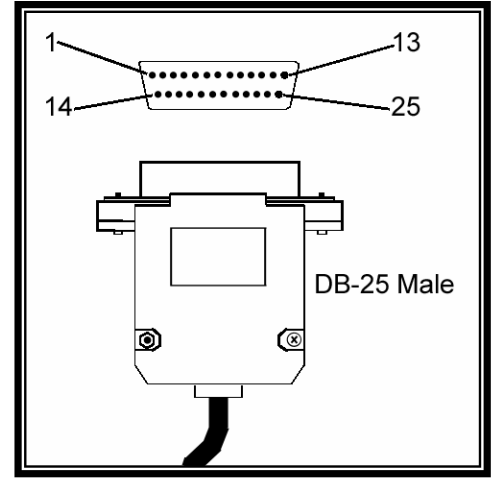
<http://www.atronsystems.com/techs.htm>

12-26-2001

600-00A14-02003M



BX / BK-Series



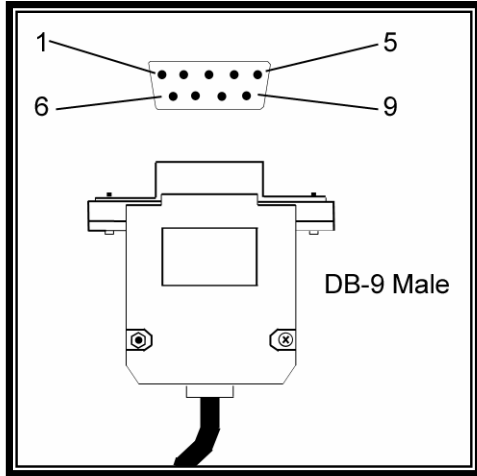
Atron Systems, Inc.

BX / BK-Series to Sanyo 25 Pin Interface Cable

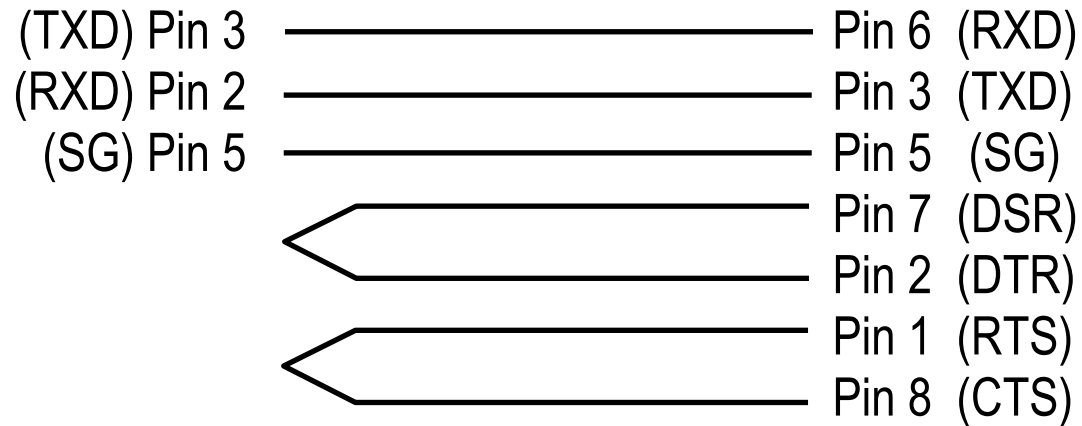
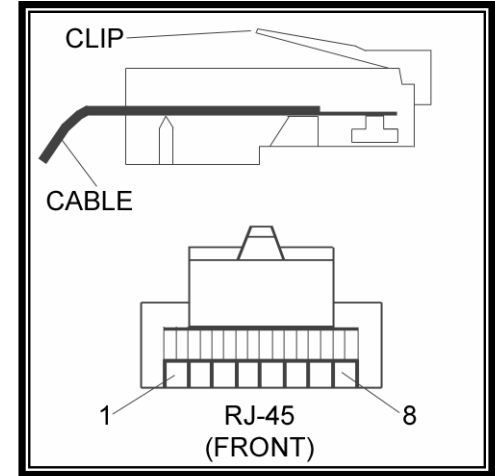
<http://www.atronsystems.com/techs.htm>

12-26-2001

600-01014-02003M



BX / BK-Series



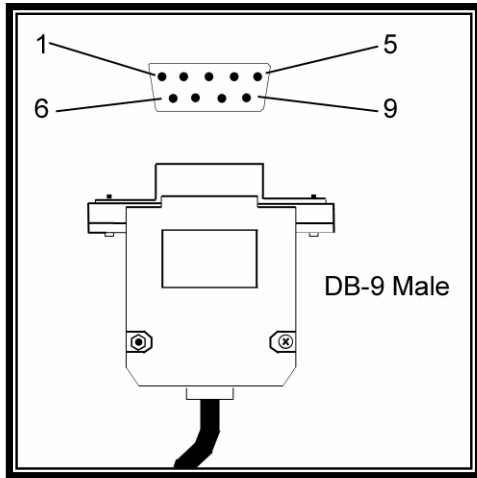
Atron Systems, Inc.

BX / BK-Series to Sharp RJ-45 Interface Cable

<http://www.atronsystems.com/techs.htm>

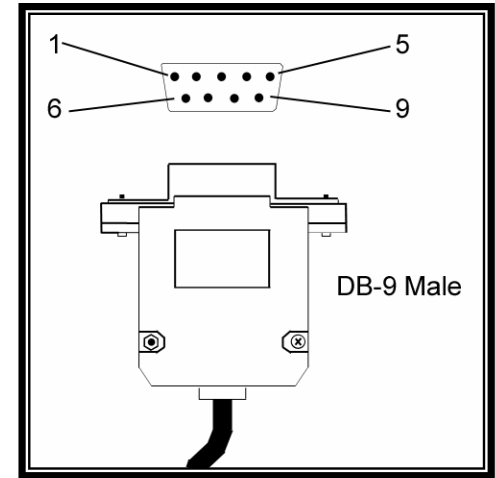
12-26-2001

600-01114-02003M



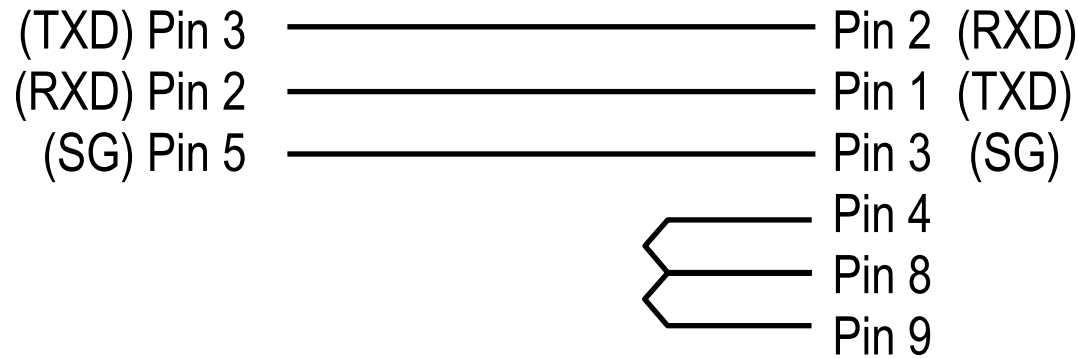
BX / BK-Series

This side MUST be marked as "BX-Series"



Swintec

This side MUST be marked as "Swintec"



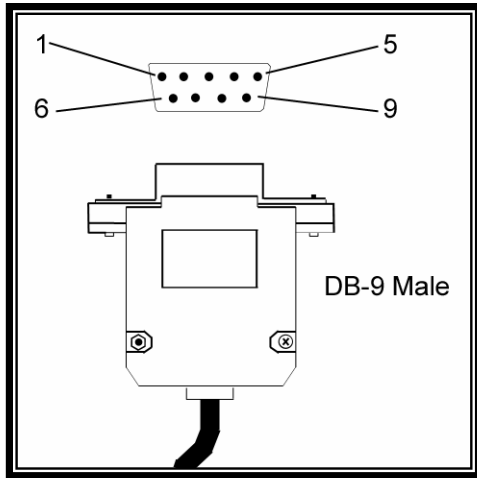
Atron Systems, Inc.

BX / BK-Series to Swintec 9 Pin Interface Cable

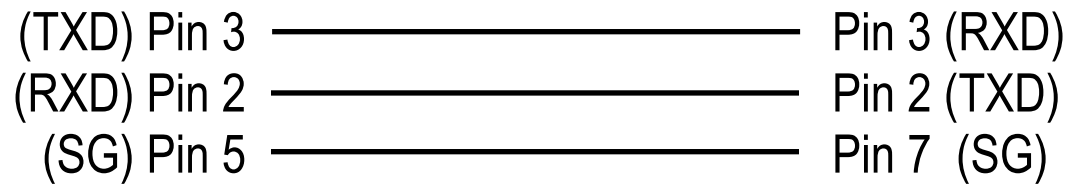
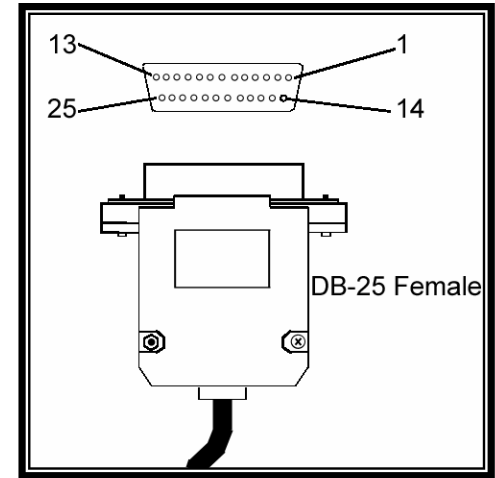
<http://www.atronsystems.com/techs.htm>

12-26-2001

600-00E14-02003M



BX / BK-Series



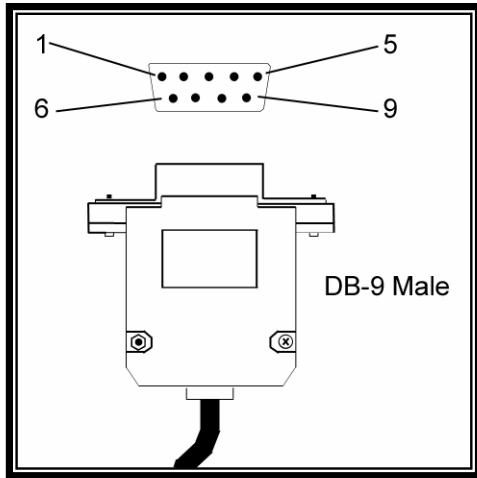
Atron Systems, Inc.

BX / BK-Series to Swintec 25 Pin Interface Cable

<http://www.atronsystems.com/techs.htm>

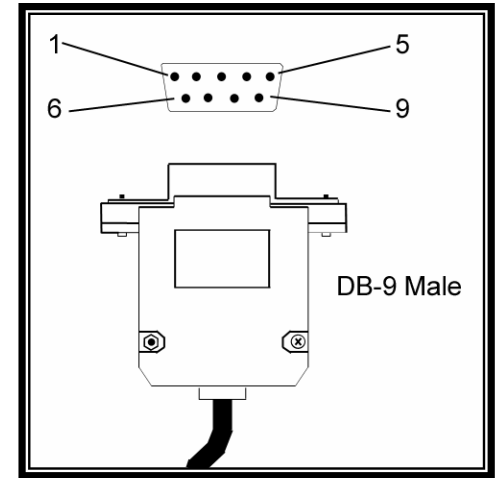
12-26-2001

600-00D14-02003M

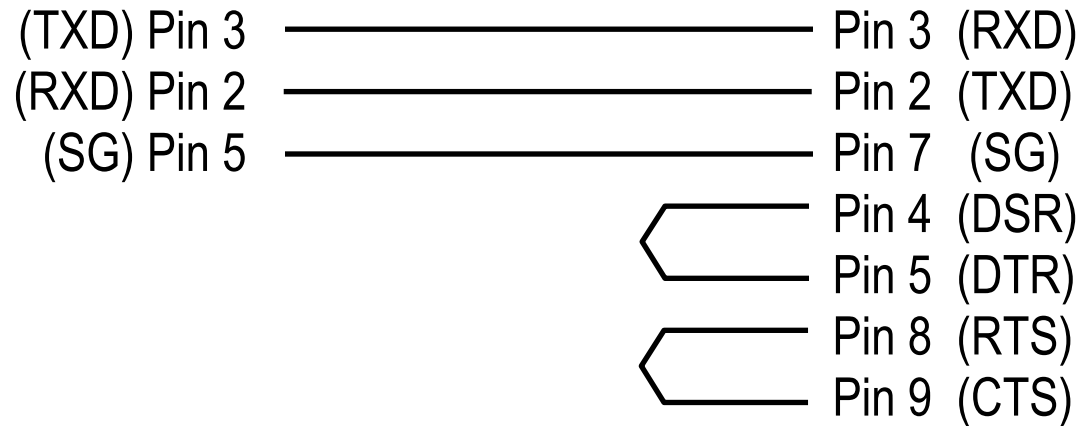


BX / BK-Series

This side MUST be marked as "BX-Series"



This side MUST be marked as "Uniwell"



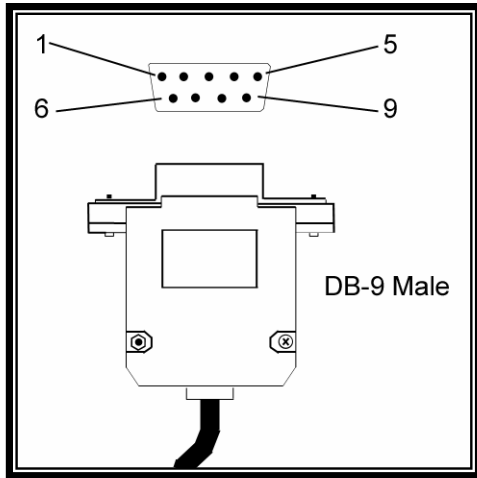
Atron Systems, Inc.

BX / BK-Series to Uniwell 9 Pin Interface Cable

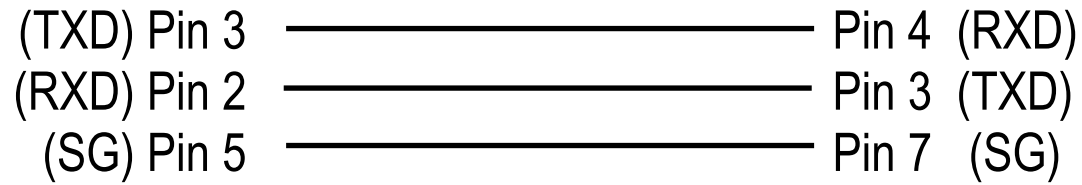
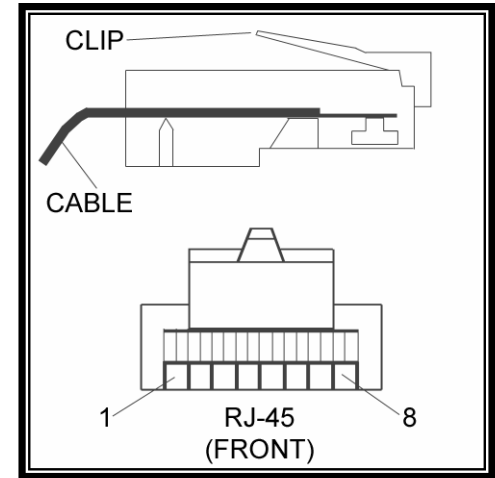
<http://www.atronsystems.com/techs.htm>

12-26-2001

600-00F14-02003M



BX / BK-Series



Atron Systems, Inc.

BX / BK-Series to Sam4s **SER-7000**, RJ-45 Interface Cable

<http://www.atronsystems.com/techs.htm>

4-1-2005

600-00G14-02003M